

Responsible. Reliable. Ready to join the family.

At Subaru, we're committed to building a lasting, rewarding relationship with you and the world we share. We start by building our vehicles to last—it's why 95% of all the vehicles we've sold in the last 10 years are still on the road today¹. We also share your desire for a cleaner, greener world. Every 2015 XV Crosstrek model achieves Partial Zero Emission Vehicle—PZEV²—status, because of their exceptionally low emissions. What's more, in 2004, Subaru of Indiana Automotive, Inc., (SIA) became the first manufacturing facility in the U.S. to reach zero-landfill status—nothing from its manufacturing efforts ever goes into a landfill. Subaru is also headquartered in a zero-landfill office in Cherry Hill, NJ.

XV Crosstrek XV Crosstrek Hybrid

2015

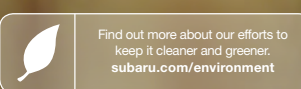
¹ Based on IHS Automotive: Polk U.S. Total Registrations MY2004–2013.

² 2015 Subaru XV Crosstrek 2.0i models achieving a Partial Zero Emission Vehicle (PZEV) rating by the California Air Resources Board are available in all 50 states. Only those registered in California, Connecticut, Maine, Maryland, Massachusetts, New Jersey, New York, Rhode Island and Vermont will be eligible for the 15 years/150,000 mile emission warranty. Delaware, Oregon, Pennsylvania and Washington vehicles are not covered under PZEV emissions control warranty. See your warranty maintenance booklet for additional information.

These brochures were printed with vegetable-based inks and produced using a "Green Printing Process." The Forest Stewardship Council® (FSC®) is an international organization that brings people together to find solutions which promote responsible stewardship of the world's forests and environments.

By producing these brochures in a green way rather than by traditional methods, we saved 43 trees preserved for the future; 20,446 gallons of wastewater flow saved; 1,368 lbs solid waste not generated; 3,769 lbs net greenhouse gases prevented; 19,000,000 BTUs energy not consumed. Calculations provided by Environmental Paper Network. FSC® is not responsible for any calculations on saving resources by choosing this paper.

This brochure is printed in the U.S.A. on 10% recycled paper. © 2014 Subaru of America, Inc. 15XV.SRB.525 (S-15243, 100K, 11/14, CG)



Love. It's what makes a Subaru, a Subaru.



Love. It's what makes a Subaru, a Subaru.



Get in touch with your playful side.

The 2015 XV Crosstrek

There are efficient vehicles. There are capable vehicles. The XV Crosstrek is that rare combination of both, sporting 8.7 inches of ground clearance, Subaru Symmetrical All-Wheel Drive, and 34 highway MPG efficiency¹. Factor in the durability that Subaru is known for—95% of vehicles sold in the last 10 years are still on the road today²—and it's clear, the XV Crosstrek was destined to go out and play.



Super Capable

The XV Crosstrek promotes random acts of fun with the ability to roam farther. Its capability starts at the core—the SUBARU BOXER[®] engine sends power to all four wheels via Subaru Symmetrical All-Wheel Drive, achieving up to 34 highway MPG¹ in the process. Coupled with 8.7 inches of ground clearance, the XV Crosstrek craves remote destinations and ambitious plans.



Fuel Frugal

Whether you choose the XV Crosstrek 2.0i or the XV Crosstrek Hybrid you'll enjoy exceptional efficiency without having to sacrifice driving enjoyment and capability. The XV Crosstrek Hybrid achieves an impressive 30 MPG city, 34 MPG highway, and 31 combined MPG³ from its hybrid electric drive-assisted SUBARU BOXER[®] engine. The 2.0i is also very efficient, with a driving range of over 500 miles.⁴



Fun Technology

Escape it all, but stay connected. The XV Crosstrek now comes standard with SUBARU STARLINK[™] in-vehicle technology, featuring the choice of either a 6.2- or 7-inch touchscreen, and easy access to apps like Pandora[®], iHeartRadio[®] and Aha[™]⁵, keeping you in the loop with news, weather, podcasts, audiobooks, and more. Additionally, every XV Crosstrek features Bluetooth[®] streaming and HD Radio[®] with iTunes[®] tagging capability.



Stellar Safety

With a NHTSA 5-Star overall vehicle score,⁶ the 2015 XV Crosstrek protects with seven airbags,⁷ a rollover sensor, VDC electronic stability control and a Ring-shaped Reinforcement Frame—and now offers EyeSight[®] Driver Assist Technology⁸ and a standard Rear-Vision Camera for exceptional awareness and peace of mind on the road.

¹ EPA estimated fuel economy for 2015 XV Crosstrek 2.0i CVT and Hybrid models at 34 highway MPG. Actual mileage may vary. ² Based on IHS Automotive: Polk U.S. Total Registrations MY2004–2013. ³ EPA estimated fuel economy for 2015 XV Crosstrek Hybrid models. Actual mileage may vary. ⁴ Driving range based on a 15.9-gallon fuel tank capacity and EPA estimated fuel economy for 2015 Subaru XV Crosstrek 2.0i models with Lineartronic[®] CVT at 34 highway MPG. Actual driving range may vary. Excludes XV Crosstrek Hybrid. ⁵ Compatible smartphone and applications required. For applications to operate, latest version of each application is required. Data provided by smartphone is displayed on the audio system screen. Some state laws prohibit the operation of handheld electronic devices while operating a vehicle. Smartphone apps should only be launched when vehicle is safely parked. Your wireless carrier's rates may apply. ⁶ Government 5-Star Safety Ratings are part of the U.S. Department of Transportation's New Car Assessment Program (www.SaferCar.gov). ⁷ Always wear seatbelts. Children should be properly restrained in the rear seat. ⁸ EyeSight is a driver assist technology, which may not operate optimally under all driving conditions. The driver is always responsible for safe and attentive driving. System effectiveness depends on many factors such as vehicle maintenance, weather and road conditions. See Owner's Manual for complete details on system operation and limitations. Please remember to turn off EyeSight when going through a carwash.



Always ready to have fun.

The XV Crosstrek invites big plans on short notice. Carrying cargo is easy, thanks to the 60/40-split flat-folding rear seatbacks and standard integrated roof rails that can accommodate plenty of extra gear.

Challenging terrain is simple to tackle with Subaru Symmetrical All-Wheel Drive and 8.7 inches of ground clearance. Neither too big, nor too small, the XV Crosstrek makes it easy to gear up, load up, and head out. Now you can spend less time preparing, and more time doing.



Stay connected, **aware and entertained.**

XV Crosstrek 2.0i Limited with Black Leather and optional equipment.



Touchscreen Audio Systems



SUBARU STARLINK™ Smartphone Integration



Text Messaging Capability¹

Modern civilization to go.

Inside every XV Crosstrek, you can always stay entertained, informed, and at ease. The standard SUBARU STARLINK™ in-vehicle technology easily connects with your Android™ or iOS devices, displaying incoming texts on screen¹ and granting you access to apps like Pandora®, iHeartRadio® and Aha™². Personalize your ambiance with standard Bluetooth® streaming and HD Radio®, and available SiriusXM® Satellite Radio³. Get even more high-tech with available features like Keyless Access with Push-button Start, a 7.0-inch touchscreen navigation system, and gauges featuring an informative LCD color display.

1 STARLINK can read incoming texts out loud when the vehicle is traveling at speeds over 5 miles per hour, and can display incoming texts on screen when the vehicle is traveling at speeds lower than 5 miles per hour. 7" system required.
2 Compatible smartphone and applications required. For applications to operate, latest version of each application is required. Data provided by smartphone is displayed on the audio system screen. Some state laws prohibit the operation of handheld electronic devices while operating a vehicle. Smartphone apps should only be launched when vehicle is safely parked. Your wireless carrier's rates may apply.
3 Activation and monthly subscription sold separately. Includes 4-month trial subscription. 7" system required. See your retailer.

5 | 2015 XV Crosstrek



2015 XV Crosstrek

Good times **start right here.**

Room to Play

With a gear-friendly cargo area and passenger-friendly seating, adventures are second nature to the XV Crosstrek. Possibilities are nearly endless with 60/40-split flat-folding rear seatbacks and 97.5 cubic feet of interior volume. And with the available leather-trimmed steering wheel, shifter and seats, you can enjoy even more comfort and style wherever you go.



An extra set of eyes
every time you drive.

“More 2014 IIHS Top Safety Picks than any other brand.”²

– Insurance Institute for Highway Safety (IIHS)



© 2015 XV Crosstrek

Pre-Collision Braking



A driver ahead unexpectedly hits the brakes or cuts you off. EyeSight^{®1} warns you, applies the brakes, and at lower speeds, can even help you stop your Subaru.

Pre-Collision Throttle Management



If you put the car in Drive instead of Reverse and EyeSight[®] sees an object in your path, it cuts power to help you avoid accelerating into it.

Adaptive Cruise Control



Traffic doesn't always flow, so EyeSight[®] doesn't only keep a set speed. The system looks ahead and helps the Subaru automatically adjust to keep your distance, even in stop-and-go highway traffic.

Lane Departure and Sway Warning



You accidentally drift to the edge of your lane and begin to cross into another. EyeSight[®] watches for lane markers and chimes to warn you before you leave your lane.

¹ EyeSight is a driver assist technology which may not operate optimally under all driving conditions. The driver is always responsible for safe and attentive driving. System effectiveness depends on many factors such as vehicle maintenance, weather and road conditions. See Owner's Manual for complete details on system operation and limitations. Please remember to turn off EyeSight when going through a carwash.

² 2014 Top Safety Picks include the 2015 Subaru Forester, WRX, BRZ, Legacy, Outback and Impreza.

More fun, with less impact.

2015 XV Crosstrek Hybrid

Enjoy glorious all-around fuel economy of 31 combined MPG¹, and increased power you can feel, thanks to the SUBARU BOXER® engine that uses a hybrid electric drive system, giving you 160 combined horsepower. Have more peace of mind from knowing the XV Crosstrek Hybrid was built in a zero-landfill facility and earned an Advanced Technology Partial Zero Emission Vehicle (AT-PZEV) rating². And feel more at ease in an upgraded interior with unique gauges, a color multifunction display with energy flow meter, automatic climate control and Keyless Access with Push-button Start. It's everything great about the XV Crosstrek, enhanced.



HYBRID



¹ EPA estimated fuel economy for XV Crosstrek Hybrid at 31 combined MPG. Actual mileage may vary.

² 2015 Subaru XV Crosstrek Hybrid vehicles achieving an Advanced Technology Partial Zero Emission Vehicle (AT-PZEV) rating by the California Air Resources Board are available in all 50 states. Only those vehicles that are registered in the states of California, Connecticut, Maine, Maryland, Massachusetts, New Jersey, New York, Rhode Island and Vermont will be eligible for the 10 years/150,000 mile Hybrid Electric Vehicle battery warranty. For vehicles registered in all other U.S. states, the Hybrid Electric Vehicle battery warranty will be 8 years/80,000 miles. See your warranty maintenance booklet for additional information.

“It’s a unique specimen in a segment flooded with cookie-cutter designs.”¹

MotorTrend.com, 2013 XV Crosstrek Review

“So if you want to take the road less traveled, the Crosstrek has got your back. Even if you don’t go off-road, the Subaru’s all-wheel drive and extra ground clearance work well in areas where it rains or snows a lot.”¹

AutoTrader.com, 2013 XV Crosstrek Review

“... XV Crosstrek supplements its solid road manners with a surprising level of off-road proficiency and the best fuel economy of any all-wheel-drive (AWD) SUV on the market.”²

KBB.com, 2013 XV Crosstrek Review



XV Crosstrek 2.0i Limited in Ice Silver Metallic with optional equipment.

2015 XV Crosstrek | Trim Levels



2.0i

- 148-hp 2.0-liter 4-cylinder SUBARU BOXER® engine
- Subaru Symmetrical All-Wheel Drive
- 5-speed manual transmission
- Fog lights
- 17-inch aluminum-alloy wheels
- Roof rails, black finish
- Cloth upholstery
- SUBARU STARLINK™ 6.2" Multimedia in-vehicle technology system with Pandora®, iHeartRadio® and Aha™ smartphone app integration³, high-resolution LCD touchscreen display, 4 speakers, AM/FM/CD player, HD Radio® with iTunes® tagging capability, USB port/iPod® control, Bluetooth® audio streaming and hands-free phone connectivity, and 3.5-mm auxiliary jack
- 6-way manually adjustable driver's seat. 4-way manually adjustable front-passenger's seat.
- Electronic cruise control
- Rear-Vision Camera



2.0i Premium

Includes 2.0i key features and adds:

- Optional Lineartronic® CVT (Continuously Variable Transmission) with manual-mode paddle shifters
- Body-color side mirrors
- SUBARU STARLINK™ 6.2" Multimedia in-vehicle technology system with Pandora®, iHeartRadio® and Aha™ smartphone app integration³, high-resolution LCD touchscreen display, 6 speakers, AM/FM/CD player, HD Radio® with iTunes® tagging capability, USB port/iPod® control, Bluetooth® audio streaming and hands-free phone connectivity, and 3.5-mm auxiliary jack
- All-Weather Package: Heated exterior mirrors, dual-mode heated front seats, windshield wiper de-icer
- Sliding center console lid
- Cargo-area cover and tray



Hybrid

- Subaru Hybrid System with 2.0-liter SUBARU BOXER® engine featuring EV mode, regenerative braking and auto-start/stop technology
- Subaru Symmetrical All-Wheel Drive
- Lineartronic® CVT (Continuously Variable Transmission) with manual-mode paddle shifters
- Fog lights
- Body-color side mirrors with integrated turn signals
- Body-color door handles with chrome accents
- 17-inch aluminum-alloy wheels
- Roof rails, black finish
- Cloth upholstery
- 6-way manually adjustable driver's seat. 4-way manually adjustable front-passenger's seat.
- SUBARU STARLINK™ 6.2" Multimedia in-vehicle technology system with Pandora®, iHeartRadio® and Aha™ smartphone app integration³, high-resolution LCD touchscreen display, 6 speakers, AM/FM/CD player, HD Radio® with iTunes® tagging capability, USB port/iPod® control, Bluetooth® audio streaming and hands-free phone connectivity, and 3.5-mm auxiliary jack
- Enhanced color multifunction display
- Leather-wrapped steering wheel with silver stitching
- Automatic climate control system
- Auto-on/off headlights
- All-Weather Package
- Rear-Vision Camera
- Keyless Access with Push-button Start
- L.E.D. taillights



2.0i Limited

Includes 2.0i Premium key features and adds:

- Lineartronic® CVT (Continuously Variable Transmission) with manual-mode paddle shifters
- Body-color side mirrors with integrated turn signals
- Leather-wrapped 3-spoke steering wheel with silver stitching
- Leather-trimmed upholstery
- Automatic climate control system
- Auto-on/off headlights
- Welcome lighting
- SUBARU STARLINK™ 7.0" Multimedia Plus in-vehicle technology system with Pandora®, iHeartRadio® and Aha™ smartphone app integration³, high-resolution LCD touchscreen display, voice-activated controls, 6 speakers, AM/FM/CD player, HD Radio® with iTunes® tagging capability, USB port/iPod® control, SiriusXM® Satellite Radio⁴, Bluetooth® audio streaming and hands-free phone and text messaging connectivity, and 3.5-mm auxiliary jack



Hybrid Touring

Includes Hybrid key features and adds:

- Power tilt/sliding-glass moonroof
- Leather-trimmed upholstery
- SUBARU STARLINK™ 7.0" Multimedia Navigation System: Voice-activated 7-inch multi-touch gesture high-resolution GPS navigation system with integrated audio system, SiriusXM® Satellite Radio⁴, NavTraffic⁶⁴, NavWeather⁶⁴, USB port/iPod® control, Bluetooth® audio streaming, voice-activated controls, hands-free phone and text messaging connectivity, 3.5-mm auxiliary jack and Pandora®, iHeartRadio®, and Aha™ smartphone app integration³

¹ Accolade based on 2013 XV Crosstrek.

² From 2013 Subaru XV Crosstrek Review on Kelley Blue Book's www.KBB.com. Kelley Blue Book is a registered trademark of Kelley Blue Book Co., Inc.

³ Compatible smartphone and applications required. For applications to operate, latest version of each application is required. Data provided by smartphone is displayed on the audio system screen. Some state laws prohibit the operation of handheld electronic devices while operating a vehicle. Smartphone apps should only be launched when vehicle is safely parked. Your wireless carrier's rates may apply.

⁴ Activation and monthly subscription sold separately. Includes 4-month trial subscription. See your retailer.

2015 XV Crosstrek | Specifications

Engine and Drivetrain		2.0i	Hybrid
Power Torque	2.0-liter DOHC aluminum-alloy 16-valve horizontally opposed 4-cylinder SUBARU BOXER® engine with Dual Active Valve Control System. 148 hp @ 6,200 rpm 145 lb-ft @ 4,200 rpm	●	—
Subaru Hybrid System	2.0-liter DOHC aluminum-alloy 16-valve horizontally opposed 4-cylinder SUBARU BOXER® engine with Dual Active Valve Control System and permanent magnet hybrid drive electric motor. Total System Power: 160 hp @ 6,000 rpm 163 lb-ft @ 2,000 rpm	—	●
Hybrid Battery Type	Nickel-metal hydride battery (Ni-MH) with battery cooling system. Max output: 13.5 kW	—	●
Transmission	Fully synchronized 5-speed manual. 2.0i and 2.0i Premium : Standard. 2.0i Limited, Hybrid and Hybrid Touring : N/A. Lineartronic® CVT (Continuously Variable Transmission) with manual-mode paddle shifters. 2.0i Premium : Optional. 2.0i Limited, Hybrid and Hybrid Touring : Standard.	● ○	— ●
CA Emissions		PZEV ¹	AT-PZEV ²
Traction and Stability			
All-Wheel Drive type	Subaru Symmetrical All-Wheel Drive	●	●
Vehicle Dynamics Control (VDC)	VDC electronic stability control utilizes sensors which constantly monitor wheel speeds, steering angle, brake pressure, vehicle yaw rate and lateral g-forces. If VDC detects a difference between the driver's intended path and the one the vehicle is actually taking, VDC applies braking power and/or reduces engine torque to help correct vehicle path.	●	●
Traction Control System (TCS)	VDC also incorporates an all-wheel, all-speed traction control system which senses a loss of traction and applies braking force to the slipping wheel or wheels as necessary to maintain vehicle motion.	●	●
Fuel			
Fuel Economy	city/highway/combined ³	Manual: 23/31/26 mpg CVT: 26/34/29 mpg	30/34/31 mpg
Fuel Requirement	Unleaded gasoline (87 octane)	●	●
Fuel Capacity	15.9 gallons 13.7 gallons	● —	— ●
Chassis			
Steering	Electric power-assisted quick ratio rack-and-pinion. Turning circle: 34.8 feet.	●	●
Suspension	4-wheel independent raised. Front: MacPherson strut type. Stabilizer bar. Rear: Double wishbone. Stabilizer bar.	●	●

2015 XV Crosstrek | Specifications

Chassis (continued)		2.0i	Hybrid
Brakes	4-wheel disc, ventilated front. 4-channel, 4-sensor ABS with Electronic Brake-force Distribution (EBD).	●	●
Brake Discs (front/rear)	11.6 inches/10.8 inches	●	●
Brake Assist	When emergency braking is detected by how quickly the brake pedal is pressed, maximum brake pressure is immediately applied.	●	●
Brake Override System	If both brake and accelerator pedals are pressed simultaneously, the system reduces the operation of the accelerator pedal to help prevent unintentional vehicle acceleration.	●	●
Wheels and Tires			
Wheels	2.0i, 2.0i Premium and 2.0i Limited : 17 x 7.0-inch aluminum-alloy. Dark gray with machine finish. Hybrid and Hybrid Touring : 17 x 7.0-inch lightweight/aerodynamic aluminum-alloy. Dark gray with machine finish.	● —	— ●
Tires	2.0i, 2.0i Premium and 2.0i Limited : 225/55 R17 95H all-season Hybrid and Hybrid Touring : 225/55 R17 95H all-season low-rolling resistance	● —	— ●
Spare Tire	Temporary use T145/90 D16 Tire Repair Kit	● —	— ●

Some images shown are for illustration purposes only. Specifications in this brochure are based on the latest product information available at the time of publication. For the most up-to-date and detailed product information, log on to www.subaru.com. Some equipment shown in photography in this brochure is optional at extra cost. Specific options may be available only in combination with other options. Specific combinations of equipment or features may vary from time to time and by geographic area. Certain accessories and equipment may not be available at the time of publication. Subaru of America, Inc., reserves the right to change or discontinue at any time, without notice, prices, colors, materials, equipment, accessories, specifications, models and packages without incurring any obligation to make the same or similar changes on vehicles previously sold. Colors shown may vary due to reproduction and printing processes.

This brochure was prepared by Subaru of America, Inc. A warranty from Subaru of America, Inc., is available only on cars sold to the first retail purchaser through an authorized Subaru retailer in the continental U.S. or Alaska. Every owner of the car during the warranty period shall be entitled to the benefit of these warranties. Subaru, SUBARU BOXER, Lineartronic and Added Security are registered trademarks. XV Crosstrek is a trademark of Subaru of America, Inc. Confidence in Motion and STARLINK are trademarks of Fuji Heavy Industries, Ltd. EyeSight is a registered trademark of Fuji Heavy Industries, Ltd. Aha is a trademark of Harman International Industries, Incorporated. Bluetooth is a registered trademark of Bluetooth SIG, Incorporated. HD Radio is a trademark of iBiquity Digital Corporation. HomeLink is a registered trademark of Prince Corporation, a wholly owned subsidiary of Johnson Controls. Apple, iPod, iPad and iTunes are registered trademarks of Apple Inc. App Store is a service mark of Apple Inc. Android is a trademark of Google Inc. SiriusXM and NavTraffic are trademarks of SiriusXM Radio Inc. iHeartRadio is a registered trademark of Clear Channel Communications, Inc. Pandora is a registered trademark of Pandora Media, Inc. For more information, contact your Subaru retailer or log on to www.subaru.com.

2015 XV Crosstrek | Equipment

Exterior	2.0i	2.0i Premium	2.0i Limited	Hybrid	Hybrid Touring
Fog lights	●	●	●	●	●
Steering-responsive fog lights (when equipped with optional EyeSight® Driver Assist Technology)	—	○	○	—	—
Black folding side mirrors	●	—	—	—	—
Body-color folding side mirrors	—	●	—	—	—
Body-color folding side mirrors with integrated turn signals	—	—	●	●	●
Body-color door handles	●	●	●	—	—
Body-color door handles with chrome accents	—	—	—	●	●
Heated side mirrors and windshield wiper de-icer (All-Weather Package)	—	●	●	●	●
Active grille shutter	—	—	—	●	●
Roof rails, black finish	●	●	●	●	●
Power tilt/sliding-glass moonroof (95% UVA and 99% UVB light reducing) ⁴	—	○ ^{5,6}	○ ⁷	—	●
Seating and Trim					
6-way manually adjustable driver's seat. 4-way manually adjustable front-passenger's seat.	●	●	●	●	●
Heated front seats (All-Weather Package)	—	●	●	●	●
60/40-split flat-folding rear seatbacks	●	●	●	●	●
Leather-trimmed steering wheel with silver stitching	—	—	●	●	●
Leather-trimmed shifter handle	—	—	●	●	●
Silver metallic interior accent trim	●	●	●	●	●
Cloth upholstery	●	●	—	●	—
Leather-trimmed upholstery	—	—	●	—	●
Convenience Features					
Welcome lighting (when approaching or departing vehicle)	—	—	●	●	●
Keyless Access with Push-button Start and pin-code vehicle access	—	—	○ ⁸	●	●
One-touch lane change feature	●	●	●	●	●
Auto-on/off headlights	—	—	●	●	●
Driver's auto-up/down power window	●	●	●	●	●
Electronic cruise control	●	●	●	●	●
3-spoke steering wheel with audio system, Bluetooth® cruise control or (if equipped) EyeSight® adaptive cruise control buttons	●	●	●	●	●
Dual USB ports	—	○ ⁹	●	—	●
Automatic transmission manual-mode paddle shifters	—	○	●	●	●
Manually adjustable tilt/telescoping steering column	●	●	●	●	●
Center console with sliding armrest lid	—	●	●	●	●
Cargo-area underfloor storage	—	—	—	●	●
Removable cargo-area tray and cover	—	●	●	●	●
Audio System					
SUBARU STARLINK™ 6.2" Multimedia in-vehicle technology system with Pandora®, iHeartRadio® and Aha™ smartphone app integration ¹⁰ , high-resolution LCD touchscreen display, AM/FM/CD player, HD Radio® with iTunes® tagging capability, USB port/iPod® control, Bluetooth® audio streaming and hands-free phone connectivity, and 3.5-mm auxiliary jack	●	●	—	●	—
SUBARU STARLINK™ 7.0" Multimedia Plus in-vehicle technology system with Pandora®, iHeartRadio® and Aha™ smartphone app integration ¹⁰ , high-resolution LCD touchscreen display, voice-activated controls, AM/FM/CD player, HD Radio® with iTunes® tagging capability, USB port/iPod® control, SiriusXM® Satellite Radio ¹¹ , Bluetooth® audio streaming and hands-free phone and text messaging connectivity, and 3.5-mm auxiliary jack	—	○ ⁹	●	—	—
SUBARU STARLINK™ 7.0" Multimedia Navigation System: Voice-activated 7-inch multi-touch gesture high-resolution GPS navigation system with integrated audio system, SiriusXM® Satellite Radio ¹¹ , NavTraffic® ¹¹ , NavWeather® ¹¹ , USB port/iPod® control, Bluetooth® audio streaming, voice-activated controls, hands-free phone and text messaging connectivity, 3.5-mm auxiliary jack and Pandora®, iHeartRadio®, and Aha™ smartphone app integration ¹⁰	—	—	○ ¹²	—	●
4 speakers	●	—	—	—	—
6 speakers	—	●	●	●	●
Climate Control					
Manually adjustable CFC-free air-conditioning system with rotary controls for temperature, 4-speed fan and airflow direction	●	●	—	—	—
Automatic climate control system with CFC-free air conditioning and rotary controls for temperature, fan and airflow direction	—	—	●	●	●

2015 XV Crosstrek | Equipment

Instrumentation	2.0i	2.0i Premium	2.0i Limited	Hybrid	Hybrid Touring
Analog speedometer, tachometer, "eco" fuel economy and fuel level gauges with LCD display	●	●	●	●	●
Multifunction display with driving range, average fuel economy, journey time, average vehicle speed, clock and ambient temperature gauge with road surface freeze warning indicator (color on Limited trims and 2.0i Premium trims with EyeSight®)	●	●	●	—	—
Enhanced color multifunction display for average fuel economy, driving range, clock, ambient temperature, climate control, hybrid drivetrain flow and other vehicle functions	—	—	—	●	●
Security					
Keyless entry system with answer-back electronic chirp	●	●	●	●	●
Antitheft security system with engine immobilizer	●	●	●	●	●
Safety					
ACTIVE					
Subaru Symmetrical All-Wheel Drive (AWD)	●	●	●	●	●
EyeSight® Driver Assist Technology ¹³	—	○ ⁵	○ ¹⁴	—	—
Vehicle Dynamics Control (VDC)	●	●	●	●	●
Traction Control System (TCS)	●	●	●	●	●
4-wheel antilock braking system (ABS) with Electronic Brake-force Distribution (EBD)	●	●	●	●	●
Brake Assist	●	●	●	●	●
Rear-Vision Camera	●	●	●	●	●
Brake Override System	●	●	●	●	●
Tire Pressure Monitoring System (TPMS)	●	●	●	●	●
Daytime Running Lights (DRL)	●	●	●	●	●
PASSIVE					
Dual-stage deployment driver and front-passenger front airbags (SRS) ¹⁵	●	●	●	●	●
Subaru advanced frontal airbag system (SRS) ¹⁵	●	●	●	●	●
Side-curtain airbags protecting front and rear outboard occupants (SRS) ¹⁵	●	●	●	●	●
Seat-mounted front side-impact airbags (SRS) ¹⁵	●	●	●	●	●
Driver's side knee airbag (SRS) ¹⁵	●	●	●	●	●
Whiplash protection front seats	●	●	●	●	●
Height-adjustable front seat head restraints	●	●	●	●	●
Three individual rear seat head restraints	●	●	●	●	●
Height-adjustable 3-point front seatbelts with pretensioners and force limiters. 3-point seatbelts at all rear seating positions.	●	●	●	●	●
LATCH system: Lower Anchors and Tethers for Children	●	●	●	●	●
Optional Equipment					
Lineartronic® CVT (Continuously Variable Transmission)	—	○	●	●	●
EyeSight® Driver Assist Technology ¹³ : Pre-Collision Braking System, Pre-Collision Throttle Management, Lane Departure and Sway Warning, Adaptive Cruise Control	—	○ ⁵	○ ¹⁴	—	—
Keyless Access with Push-button Start and pin-code vehicle access	—	—	○ ⁸	●	●
Power tilt/sliding-glass moonroof (95% UVA and 99% UVB light reducing) ⁴	—	○ ^{5,6}	○ ⁷	—	●
SUBARU STARLINK™ 7.0" Multimedia Navigation System: Voice-activated 7-inch multi-touch gesture high-resolution GPS navigation system with integrated audio system, SiriusXM® Satellite Radio ¹¹ , NavTraffic® ¹¹ , NavWeather® ¹¹ , USB port/iPod® control, Bluetooth® audio streaming, voice-activated controls, hands-free phone and text messaging connectivity, 3.5-mm auxiliary jack and Pandora®, iHeartRadio®, and Aha™ smartphone app integration ¹⁰	—	—	○ ¹²	—	●

- Standard
- Optional
- Not equipped

¹ 2015 Subaru XV Crosstrek 2.0i models achieving a Partial Zero Emission Vehicle (PZEV) rating by the California Air Resources Board are available in all 50 states. Only those registered in California, Connecticut, Maine, Maryland, Massachusetts, New Jersey, New York, Rhode Island and Vermont will be eligible for the 15 years/150,000 mile emission warranty. Delaware, Oregon, Pennsylvania and Washington vehicles are not covered under PZEV emissions control warranty. See your warranty maintenance booklet for additional information. ² 2015 Subaru XV Crosstrek Hybrid vehicles achieving an Advanced Technology Partial Zero Emission Vehicle (AT-PZEV) rating by the California Air Resources Board are available in all 50 states. Only those vehicles that are registered in the states of California, Connecticut, Maine, Maryland, Massachusetts, New Jersey, New York, Rhode Island and Vermont will be eligible for the 10 years/150,000 miles Hybrid Electric Vehicle battery warranty. For vehicles registered in all other U.S. states, the Hybrid Electric Vehicle battery warranty will be 8 years/80,000 miles. See your warranty maintenance booklet for additional information. ³ 2015 EPA fuel economy estimates. Actual mileage may vary. ⁴ The glass information listed represents calculated reference values, and may not represent actual values determined by testing. ⁵ Requires Lineartronic® CVT. ⁶ Not available with EyeSight. ⁷ Requires Navigation System and Keyless Access with Push-button Start. See Optional Equipment listing above. ⁸ Requires Navigation System and Power Moonroof. See Optional Equipment listing above. ⁹ Requires EyeSight. See Optional Equipment listing above. ¹⁰ Compatible smartphone and applications required. For applications to operate, latest version of each application is required. Data provided by smartphone is displayed on the audio system screen. Some state laws prohibit the operation of handheld electronic devices while operating a vehicle. Smartphone apps should only be launched when vehicle is safely parked. Your wireless carrier's rates may apply. ¹¹ Activation and required monthly subscription sold separately. Includes 4-month trial subscription. See your retailer. ¹² Requires Power Moonroof and Keyless Access with Push-button Start. See Optional Equipment listing above. ¹³ EyeSight is a driver assist technology which may not operate optimally under all driving conditions. The driver is always responsible for safe and attentive driving. System effectiveness depends on many factors such as vehicle maintenance, weather and road conditions. Pre-Collision Braking System is designed to provide automatic braking that either prevents a collision or reduces the severity of a frontal impacts. Pre-Collision Throttle Management is designed to reduce acceleration and minimize the severity of certain frontal impacts. Adaptive Cruise Control and Brake Light Recognition are designed to assist the driver and are not substitutes for safe and attentive driving. The Lane Departure and Sway Warning operates only when the lane markings are visible and its effectiveness depends on many factors. See Owner's Manual for complete details on system operation and limitations. Please remember to turn off EyeSight when going through a carwash. ¹⁴ Requires Power Moonroof, Navigation System and Keyless Access with Push-button Start. See Optional Equipment listing above. ¹⁵ The Supplemental Restraint System (SRS) (airbags) affords the driver and the front and rear outboard passengers additional protection in moderate to severe frontal and side-impact collisions. This system provides supplemental protection only, and seatbelts must be worn in order to avoid injuries to out-of-position occupants upon airbag deployment and to provide the best combined protection in a serious accident. Children should always be properly restrained in the rear seat.



Trailer Hitch. Rated at 200 lbs tongue weight with 1,500 lbs of towing capacity. Engineered to the same rigorous standards as the rest of the XV Crosstrek.

Hitch ball not included. Trailer brakes may be required. Excludes Hybrid models.



Rear Bumper Cover. Helps protect the upper surface of the painted bumper from scratches and dings.



Remote Engine Starter. Allows vehicle to start from the convenience of home or the office (up to 400 feet away depending on obstructions) so that the vehicle interior temperature is more comfortable upon entry. Remote confirms when vehicle engine has been started.

A/T only. A different Remote Engine Starter system is available for the EyeSight and Hybrid models.



Body Side Moldings. Attractive color-matched moldings coordinate with the styling of the vehicle while helping to protect the doors from unsightly dings.



Sports Mesh Grille. Bold metal mesh design that adds an aggressive look to the XV Crosstrek. Grille comes pre-painted and ready to install.



Crossbar Set—Aero. May be used in conjunction with Genuine Subaru roof attachments and carriers.

Consult vehicle Owner's Manual for total roof-load limit.



All-Weather Floor Mats. Custom-fitted heavy gauge floor mats help protect the vehicle carpet from sand, dirt and moisture.

Not intended for use on top of Carpeted Floor Mats.



Roof Cargo Carrier. Provides 13 cubic feet of lockable storage capacity. Opens from rear to accommodate loading from three sides. Measures 56"L x 36"W x 18"H.

Requires Crossbar Kit. Consult vehicle Owner's Manual for total roof-load limit.



Roof Spoiler. Adds a sporty finishing touch to the XV Crosstrek.



Side Window Deflectors. Designed to let the fresh air in while helping to keep the rain out of the vehicle. Black acrylic plastic construction is designed specifically for an exact fit.

May not be legal in all states. Please check the laws of your state.



Auto-Dimming Mirror with HomeLink®. Mirror darkens when headlights are detected from behind the vehicle. Includes electronic compass and three integrated HomeLink® buttons which are programmable to operate most garage-door openers and other HomeLink®-compatible devices.



Splash Guards. Help protect vehicle paint finish from stones and road grime. Set of four.

Protecting Your Investment

Once you're part of our family, we'll be there for you. If you have trouble on the road, a tow to the nearest Subaru retailer and other services are just a phone call away. And to protect you over the long haul, we offer Added Security®—extended service agreements and maintenance plans that will help protect your car for up to 7 years or 100,000 miles. They're the only mechanical and maintenance plans backed by Subaru of America, Inc., and because we've been backing them for more than 30 years, they're agreements you can trust. Your retailer has full coverage details.

Subaru Badge of Ownership

True commitment shows through. For Subaru owners, it shows in kayak scuffs and snowboard scratches. It can take the form of dog hair that just won't come out, fresh coats of dust, or extra coats of wax. For many, the Subaru Badge of Ownership lets them show their commitment to the life they live and the confidence that has inspired them to fully embrace it. Owners can order badges online for free, stick them on, and let everyone know how they experience the world. Which one will you get?



Warranties

New Car Limited Warranty	3 years or 36,000 miles, whichever comes first.
Powertrain Limited Warranty	5 years or 60,000 miles, whichever comes first.
Wear Item Limited Warranty	3 years or 36,000 miles, whichever comes first. Repairs to the following items will also be covered under Wear Item Limited Warranty: <ul style="list-style-type: none"> • Brake Pads • Wiper Blades • Clutch Linings • Transmitter Batteries
Rust Perforation Limited Warranty	5 years, unlimited mileage.
24-hour Roadside Assistance	3 years or 36,000 miles, whichever comes first.

Take a Guided Tour

It's the ultimate way to get to know the XV Crosstrek on your terms. Get up close and personal with color configurators, videos, 360-views, interactive content and more. Available for your desktop, tablet, and on the iTunes® App Store for your iPad®.

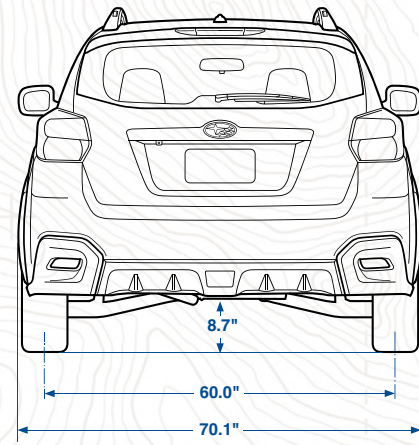
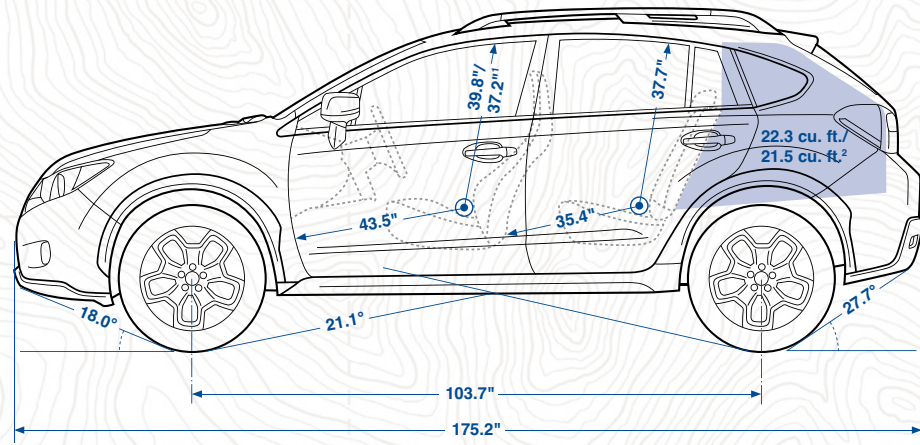


Take the XV Crosstrek Guided Tour Online at: tour.subaru.com/XVCrosstrek2015

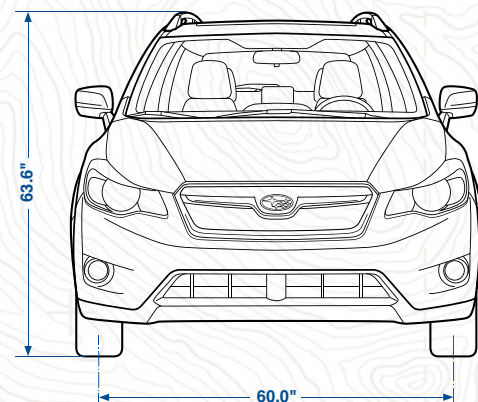
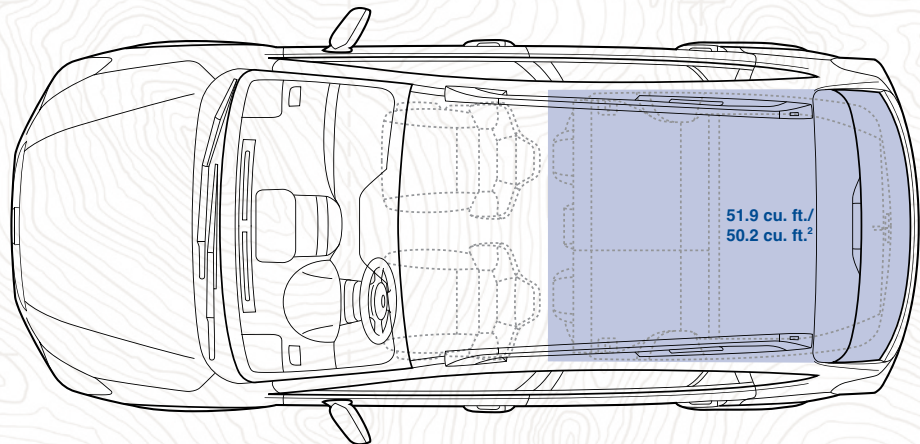
or

Download the free iPad App on iTunes at: tour.subaru.com/XVCrosstrekApp

2015 XV Crosstrek | Dimensions



Length/Width/Height	175.2 inches/70.1 inches (78.9/79.5 ¹ inches, including mirrors)/63.6 inches (with roof rails)
Wheelbase	103.7 inches
Track (front/rear)	60.0 inches/60.0 inches
Base curb weight	2.0i: 3,109 lbs/N/A 2.0i Premium: 3,109 lbs/3,186 lbs 2.0i Limited: N/A/3,208 lbs Hybrid: N/A/3,451 lbs Hybrid Touring: N/A/3,495 lbs
Ground clearance	8.7 inches (at base curb weight)

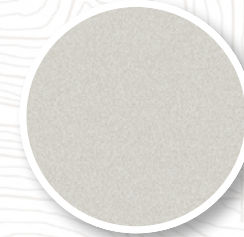


Headroom (front/rear)	39.8 inches/37.7 inches (with moonroof: 37.2 inches/37.7 inches)
Legroom (front/rear)	43.5 inches/35.4 inches
Shoulder room (front/rear)	55.6 inches/54.2 inches
Hip room (front/rear)	52.2 inches/53.1 inches
Passenger volume	97.5 cubic feet (with moonroof: 94.0 cubic feet)
Cargo volume	2.0i: 22.3 cubic feet Hybrid: 21.5 cubic feet
Maximum cargo volume	2.0i: 51.9 cubic feet (with rear seatback lowered) Hybrid: 50.2 cubic feet (with rear seatback lowered)

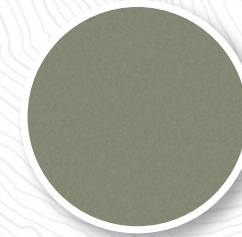
¹ With available moonroof. Moonroof availability varies by trim level.
² Hybrid models.
³ With integrated turn signals.

2015 XV Crosstrek | Colors

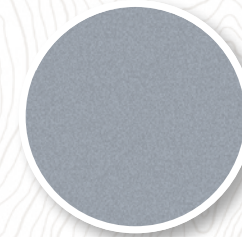
Paint



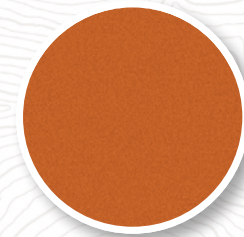
Crystal White Pearl



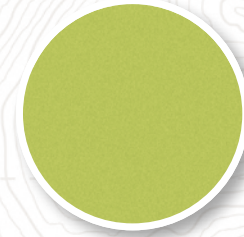
Desert Khaki



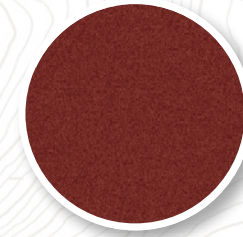
Ice Silver Metallic



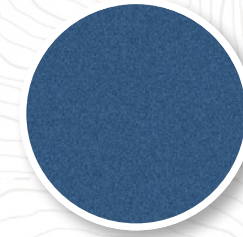
Tangerine Orange Pearl



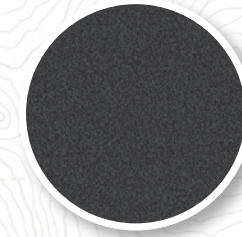
Plasma Green



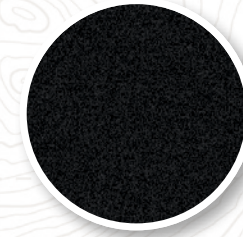
Venetian Red Pearl



Quartz Blue Pearl

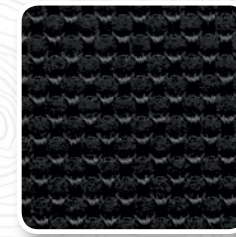


Dark Gray Metallic

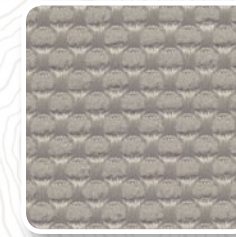


Crystal Black Silica

Upholstery



Black Cloth
(BC)



Ivory Cloth
(IC)



Black Leather
(BL)



Ivory Leather
(IL)

Color Combinations

	2.0i	2.0i Premium	2.0i Limited	Hybrid	Hybrid Touring
Crystal White Pearl	BC	BC or IC	BL or IL	IC	IL
Desert Khaki	BC	BC	BL	—	—
Ice Silver Metallic	BC	BC	BL	BC	BL
Tangerine Orange Pearl	BC	BC	BL	—	—
Plasma Green	—	—	—	BC	BL
Venetian Red Pearl	BC	IC	IL	—	—
Quartz Blue Pearl	BC	IC	IL	IC	IL
Dark Gray Metallic	BC	BC	BL	—	—
Crystal Black Silica	BC	BC or IC	BL or IL	BC	BL

— Not available