

Drive it for a day. **Love it for life.**

Life moves fast. Don't slow it down with a car you can't trust. At Subaru, we build each of our vehicles with the highest standards of manufacturing, and with designs that are inherently tough and resilient. It's why our vehicles excel in the most rigorous of motorsports, like rally racing. And why 94% of all vehicles sold in the last 12 years are still on the road today! It's also why Subaru owners are so likely to stay Subaru owners for years and years. What's more, keeping cars on the road means they stay out of landfills longer. And if we can make the world a cleaner and greener place while making cars that inspire and motivate their drivers, we've done our job.

BRZ

2015

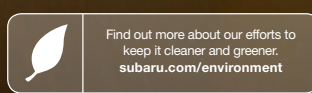


1 Based on IHS Automotive: Polk U.S. Total Registrations MY2002-2013.

These brochures were printed with vegetable-based inks and produced using a "Green Printing Process." The Forest Stewardship Council™ (FSC™) is an international organization that brings people together to find solutions which promote responsible stewardship of the world's forests and environments.

By producing these brochures in a green way rather than by traditional methods, we saved 33 trees preserved for the future; 15,032 gallons of wastewater flow saved; 1,006 lbs solid waste not generated; 2,771 lbs net greenhouse gases prevented; 14,000,000 BTUs energy not consumed. Calculations provided by Environmental Paper Network. FSC® is not responsible for any calculations on saving resources by choosing this paper.

This brochure is printed in the U.S.A. on 10% recycled paper. ©2014 Subaru of America, Inc. 15BRZ.SRB.525 (S-15242, 68K, 6/14, CG)



Love. It's what makes a Subaru, a Subaru.



Love. It's what makes a Subaru, a Subaru.



The joy of driving **purified.**

The 2015 Subaru BRZ

Absent of fluff, with a direct connection to the road, the BRZ delivers fun at any speed. Engineering this level of driving engagement was anything but easy. It required starting with the right technology—namely, the low-slung SUBARU BOXER® engine—and placing it in a vehicle with a supremely low center of gravity and the perfect power-to-weight ratio. The end result is no less than the ideal sports car driving experience. Creating elegant simplicity is anything but simple.




— | 2015 BRZ

BRZ Limited in both WR Blue Pearl and Ice Silver Metallic.




The open road is **your canvas.**

 **Engaging**


With a traditional rear-wheel drive layout, the BRZ pays homage to traditional sports car ideals, while retaining all modern necessities. Its traits—lightweight, low center of gravity, fully independent suspension, telepathic handling—deliver the pure, unfiltered driving experience worshipped by purists.

 **Potent**

Powered by a 200-hp direct- and port-injected 2.0-liter 4-cylinder SUBARU BOXER® engine, the BRZ hits all the right notes in both performance and sound. The sonorous, high rpm rumble from the tuned exhaust system is music to the enthusiasts' ears.

 **Dialed-in**

The ideal sports car driving position means you'll find everything you need, right where you need it. The bolstered, sport-design front seats keep you planted, while the small-diameter, leather-wrapped steering wheel is perfectly complemented by a point-and-shoot 13.1:1 steering ratio.

 **Connected**

Be as in touch with the world outside as you are with the road, thanks to a standard touch-screen navigation system with Bluetooth® wireless technology and the SUBARU STARLINK™ infotainment system with Aha™ connected service,¹ which provides seamless access to web content such as podcasts, internet radio, audiobooks, and personalized restaurant and hotel searches.

¹ Compatible smartphone and application required. For applications to operate, latest version of each application and integrated audio and navigation system unit required. Data provided by smartphone is displayed on navigation screen. Some state laws prohibit the operation of handheld electronic devices while operating a vehicle. Smartphone apps should only be launched when vehicle is safely parked. Your wireless carrier's rates may apply.

BRZ Premium in Lightning Red.

© 2015 BRZ

“...Subaru’s new coupe is **gifted with exceptional balance and clairvoyant reflexes.**”¹
CarandDriver.com, December 2011

“With an **excellent driving position, firm brake pedal, slick gear change, and easily controllable oversteer,** the car is a **delight to push hard.**”¹
Motor Trend, January 2014


“The chassis is so balanced and focused, **you could steer it with your right foot while blindfolded.**”¹
RoadandTrack.com, October 2013

“It offers a **pervasive sense of control,** allowing you to place the tires within millimeters of your intended target.”¹
Motor Trend, July 2012



“The **BRZ** is an **AUTOMOBILE Magazine All-Star** for the second year in a row.”
AUTOMOBILE Magazine, April 2014

¹Accolade based on 2013 Subaru BRZ.



It only lacks one thing—**you.**

Driver-focused Cockpit

A lot of thought went into the place where the magic happens—the driver-focused cockpit of the BRZ. From the driver's seat, everything is optimized and coordinated. From the small-diameter, leather-wrapped steering wheel to the strategically placed pedals, obliging shifter and low-mounted bolstered front seats, it's all perfectly assembled to create the ideal sports car driving position.

BRZ Premium with Black Cloth.

Every excess eliminated.
Every thrill amplified.



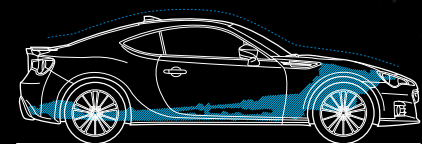
2,764 POUNDS
 CURB WEIGHT

[18.11"]
 CENTER OF
 GRAVITY HEIGHT

ENGINE PLACEMENT

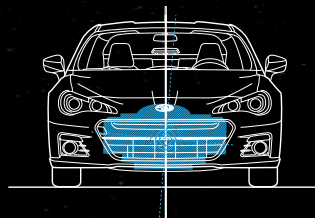
WEIGHT SPLIT: FRONT [55]

REAR [45]



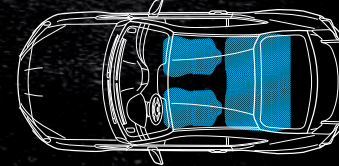
Lightweight—2,764 Pounds¹

Lightweight sports cars can react quicker, accelerate faster, and stop with more authority. With less heft, the 200-horsepower SUBARU BOXER[®] engine becomes a powerhouse, and the 11.6-inch disc brakes—world-beaters. High-tensile steel makes it not only lighter but stiffer as well. Also a priority was balance—so it's rear-wheel drive for better front-to-rear weight distribution.



200-hp Boxer Engine

Low, stable, with immediate power delivery, the SUBARU BOXER[®] engine is the heart and soul of the BRZ. With port and direct-injection technology, its efficiency is impeccable—34 mpg³—and its power easily harnessed with either the lauded 6-speed close-ratio manual transmission, or a quick-shifting 6-speed automatic transmission with manual mode and paddle shifters.



Driver-centric Ergonomics

With design features like a small-diameter steering wheel and optimally placed short-throw shifter, your hands can fully capitalize on the quick 13.1:1 steering ratio. And with sport-design instrumentation, you'll immediately get the information you need most.

Low .28 Coefficient of Drag²

To a sports car, wind is like weight—the more of it you have to move, the more it takes from your ability to perform. Features like a channeled roof and rear diffuser help the BRZ cut through the air, sharpening the performance you'll feel.

Low Center of Gravity

Not only was the engine designed to make it compact, allowing it to be mounted lower in the chassis, every element of the BRZ was placed as low as possible, from the roofline to the seating position. This blesses the BRZ with a supercar-like center of gravity measurement—18.11 inches—that keeps it firmly planted to the ground for otherworldly composure and response.

Performance-design Seats

When you're deep in the corners, you'll be glad the BRZ comes standard with supportive front seats with deep bolsters. It's also available with Alcantara[®] inserts, which provide extra grip to help keep you in the pocket.

¹ Base curb weight for BRZ Premium with manual transmission.
² BRZ Limited.
³ With automatic transmission. 2015 EPA highway fuel economy estimates. Actual mileage may vary.



G-force optimized.

Inside, you'll find a plethora of features that set the BRZ apart. Find destinations and attractions, and monitor traffic with the 6.1-inch touch-screen navigation system. Customize your comfort with the available dual-zone automatic climate control system. Make calls easily, and stream your favorite tunes with Bluetooth® hands-free calling and audio streaming. Adapt to changing road conditions with auto on/off headlights. Enjoy luxury and control with the supple, yet grippy, available heated Alcantara®-lined, heavily bolstered seats and the leather-wrapped, small-diameter steering wheel.

2015 BRZ Series.Blue

A rare breed of an exotic species.

With a production run limited to 1,000, the exclusive, elusive BRZ Series.Blue comes with a host of unique exterior and interior upgrades. The exterior gets some Subaru Tecnica International flair, with STI 17-inch 15-spoke gloss black alloy wheels and STI front, side and rear quarter under spoilers, to go along with the Series.Blue-exclusive red brake calipers, and additional underbody covers that improve the already stellar aerodynamics. The interior includes a stylish blend of blue-accented leather and Alcantara® everywhere you look, with a red STI engine start/stop button capping the exclusive experience.



2015 BRZ | Trim Levels



BRZ Premium

- 200-hp direct-injected 2.0-liter 4-cylinder SUBARU BOXER® engine
- Close-ratio 6-speed manual transmission
- Sport-tuned suspension
- Multi-spoke 17-inch aluminum-alloy wheels
- HID headlights
- Cloth upholstery
- Manually adjustable air-conditioning system
- Voice-activated 6.1-inch high-resolution touch-screen GPS navigation system and 8-speaker audio system with SUBARU STARLINK™ system featuring Aha™ connected service; HD Radio® with iTunes® tagging, USB port/iPod® control, Bluetooth® audio streaming and hands-free phone connectivity, SMS text messaging capability, SiriusXM® Satellite Radio and NavTraffic®²



BRZ Limited

Includes BRZ Premium key features and adds:

- Fog lights
- Trunk spoiler
- Alcantara® and leather-trimmed upholstery
- Heated front seats and side mirrors
- Dual-zone digital climate control
- Keyless Access with Push-button Start
- Antitheft security system



BRZ Series.Blue³

Includes BRZ Limited key features and adds:

- Limited availability (1,000 units)
- 17-inch STI 15-spoke aluminum-alloy wheels with gloss black finish
- Red-painted brake calipers
- Aerodynamic underbody covers
- STI Aero Kit, including front, side and rear quarter under spoilers
- STI red start/stop ignition button
- Carbon fiber-patterned dash trim
- Alcantara® and leather-trimmed front seats with blue Alcantara®/leather bolster accents, embroidered BRZ logo and blue stitching
- Leather-wrapped steering wheel with blue leather accents and stitching
- Door trim with blue stitching
- Center console and lower door knee pads with blue stitching
- Shift boot and parking brake with blue stitching
- Carpeted floor mats with BRZ logo and blue trim
- Frameless rearview mirror

2015 BRZ | Specifications

Engine and Drivetrain

		BRZ
Power Torque	2.0-liter DOHC aluminum-alloy 16-valve 4-cylinder horizontally opposed SUBARU BOXER® engine with Dual Active Valve Control System (DAVCS). 200 hp @ 7,000 rpm 151 lb-ft @ 6,400 rpm	●
Compression Ratio	12.5:1	●
Bore and Stroke	86.0 x 86.0 mm	●
Fuel System	Direct and port fuel injection	●
Manual Transmission	Close-ratio 6-speed manual	●
Automatic Transmission	6-speed electronic automatic transmission with Sport mode, and manual mode with paddle shifters with rev-matching downshift control. BRZ Premium and BRZ Series.Blue: Not Available. BRZ Limited: Optional.	○

Traction and Stability

Drivetrain	Rear-wheel drive	●
Rear Differential	Torsen® limited slip	●
Vehicle Stability Control (VSC)	Includes Sport mode	●
Traction Control System (TCS)		●

Fuel

Economy	city/highway/combined ⁴	Manual: 22/30/25 mpg Automatic: 25/34/28 mpg
Fuel Requirement	Premium unleaded gasoline (93 octane)	●
Fuel Capacity	13.2 gallons	●

Chassis

Steering	Electric power-assisted quick ratio rack-and-pinion. Ratio: 13.1:1. Turns lock-to-lock: 2.48. Turning circle: 35.4 feet.	●
Suspension	Sport-tuned 4-wheel independent. Front: Strut-type with lower L-arm. Stabilizer bar. Rear: Double wishbone. Stabilizer bar.	●
Brakes	4-wheel disc, ventilated front and rear. Dual-piston front and single-piston rear calipers. 4-channel, 4-sensor ABS with Electronic Brake-force Distribution (EBD)	●
Brake Discs (front/rear)	11.6 inches/11.4 inches	●
Brake Assist	When emergency braking is detected by how quickly the brake pedal is pressed, maximum brake pressure is immediately applied.	●
Brake Override System	If both brake and accelerator pedals are pressed simultaneously, the system reduces the operation of the accelerator pedal to help prevent unintentional vehicle acceleration.	●

Wheels and Tires

Wheels	BRZ Premium and BRZ Limited: 17 x 7.0-inch multi-spoke aluminum-alloy. Dark gray with machine finish. BRZ Series.Blue: 17 x 7.0-inch STI 15-spoke aluminum-alloy. Gloss black finish.	●
Tires	215/45 R17 87W summer-performance	●

2015 BRZ | Equipment

	BRZ Premium	BRZ Limited	BRZ Series.Blue
Exterior			
High-intensity discharge (HID) low-beam and high-beam headlights	●	●	●
Fog lights	◻	●	●
L.E.D. taillights	●	●	●
Rear bumper with integrated diffuser	●	●	●
Trunk spoiler	◻	●	●
STI Aero Kit, including front, side and rear quarter under spoilers	—	—	●
Dual stainless-steel exhaust outlets	●	●	●
Body-color power side mirrors and door handles	●	●	●
Heated side mirrors (All-Weather Package)	—	●	●
Seating and Trim			
6-way manually adjustable driver's seat. 4-way manually adjustable front-passenger's seat.	●	●	●
Performance-design front seats with height-adjustable head restraints	●	●	●
Heated front seats (All-Weather Package)	—	●	●
Flat-folding rear seatback	●	●	●
Leather-wrapped 3-spoke steering wheel with red stitching	●	●	—
Leather-wrapped 3-spoke steering wheel with blue leather accents and stitching	—	—	●
Leather-wrapped shifter handle	●	●	●
Cloth upholstery	●	—	—
Alcantara® and leather-trimmed upholstery	—	●	—
Alcantara® and leather-trimmed upholstery with blue Alcantara®/leather bolster accents and stitching	—	—	●
Aluminum-alloy pedal covers	●	●	●
Convenience Features			
Keyless Access with Push-button Start	—	●	●
Auto-on/off headlights	●	●	●
Power front windows with auto-up/down	●	●	●
Electronic cruise control	●	●	●
Tilt/telescoping steering column	●	●	●
Removable dual-cup holders in center console	●	●	●
Single bottle holder in each door panel	●	●	●
12-volt power outlets in center console and glovebox	●	●	●
Audio and Communication Systems			
Voice-activated 6.1-inch high-resolution touch-screen GPS navigation system and 8-speaker audio system with SUBARU STARLINK™ system featuring Aha™ connected service, ¹ HD Radio® with iTunes® tagging, USB port/iPod® control, Bluetooth® audio streaming and hands-free phone connectivity, SMS text messaging capability, SiriusXM® Satellite Radio and NavTraffic® ²	●	●	●

2015 BRZ | Equipment

	BRZ Premium	BRZ Limited	BRZ Series.Blue
Instrumentation			
Sport-design gauges with analog speedometer, coolant temperature gauge, fuel gauge and center-mounted tachometer with integrated digital speedometer	●	●	●
Climate Control			
Manually adjustable CFC-free air-conditioning system with rotary controls for temperature, 4-speed fan and airflow direction	●	—	—
Dual-zone automatic digital climate control system with controls for temperature, 7-speed fan, airflow direction, dual-zone lockout and CFC-free air conditioning	—	●	●
Security			
Keyless entry system with answer-back electronic chirp	●	●	●
Antitheft security system	—	●	●
Engine immobilizer	●	●	●
Safety			
ACTIVE			
Vehicle Stability Control (VSC)	●	●	●
Traction Control System (TCS)	●	●	●
Brake Assist	●	●	●
4-wheel antilock braking system (ABS) with Electronic Brake-force Distribution (EBD)	●	●	●
Brake Override System	●	●	●
Tire Pressure Monitoring System (TPMS)	●	●	●
L.E.D. Daytime Running Lights (DRL)	●	●	●
PASSIVE			
Subaru advanced frontal airbag system with driver's and front-passenger's front airbags (SRS) ⁵	●	●	●
Side-curtain airbags protecting front and rear occupants (SRS) ⁵	●	●	●
Seat-mounted front side-impact airbags (SRS) ⁵	●	●	●
Whiplash-protection front seats	●	●	●
Height-adjustable front-seat head restraints	●	●	●
Height-adjustable 3-point front seatbelts with pretensioners and force limiters	●	●	●
3-point seatbelts at all rear seating positions	●	●	●
LATCH system: Lower Anchors and Tethers for Children	●	●	●

● Standard ○ Optional — Not equipped ◻ Available retailer-installed accessory

¹ Compatible smartphone and application required. For applications to operate, latest version of each application and integrated audio and navigation system unit required. Data provided by smartphone is displayed on navigation screen. Some state laws prohibit the operation of handheld electronic devices while operating a vehicle. Smartphone apps should only be launched when vehicle is safely parked. Your wireless carrier's rates may apply. ² SiriusXM® Satellite Radio and NavTraffic® hardware is standard. Activation and monthly subscription sold separately. Includes 4-month trial subscription. See your retailer. ³ Limited availability. See your retailer. ⁴ 2015 EPA fuel economy estimates. Actual mileage may vary. ⁵ The Supplemental Restraint System (SRS) (airbags) affords the driver and the front passenger additional protection in moderate to severe frontal and side-impact collisions and outboard 2nd-row passengers additional protection in moderate to severe side-impact collisions. This system provides supplemental protection only, and seatbelts must be worn in order to avoid injuries to out-of-position occupants upon airbag deployment and to provide the best combined protection in a serious accident. Children should always be properly restrained in one of the rear seats. See Owner's Manual for recommended seating position. ⁶ All Subaru vehicles sold by Subaru of America, Inc. are designed and built for normal driving conditions. The Subaru Limited Warranty, as well as the Subaru Added Security program, excludes damage or failure resulting from modifications or participation in competition or racing events. See the Subaru Warranty and Maintenance booklet for further details.



STI Front Under Spoiler. STI Front Under Spoiler gives the BRZ a mean, ground-hugging attitude.



STI Side Under Spoiler. Continue the mean ground-hugging attitude down the rocker panels of the BRZ. Kit includes both left and right side under spoilers.



STI Rear Quarter Under Spoiler. Complete the ground-hugging look to the side of the BRZ with the addition of the rear quarter under spoilers. Kit includes both left and right side under spoilers.



Rear Diffuser. Lower rear body panel helps to direct airflow and adds a sculpted finishing touch to the BRZ lower rear body line.



Trunk Spoiler. Sleek, low-profile design adds just the right amount of attitude to your BRZ. Comes pre-painted and ready to install.



Chrome Fender Trim. Adds a stylish touch of chrome to the fender grille panels.



Fog Light Kit. Casts a low and wide beam of light to help enhance vision in inclement weather.



Rear Bumper Appliqué. Clear, scratch-resistant vinyl film helps to protect bumper upper surface and leading edge. Includes a discreet pearl-colored Subaru logo.



Auto-dimming Mirror with Compass and HomeLink. Mirror darkens when headlights are detected from behind the vehicle. Includes a compass and three integrated HomeLink buttons that are programmable for most garage-door openers and other HomeLink-compatible devices.



Sunshade. Foldable sunshade offers a triple layer of protection to help reduce inside vehicle temperatures up to 40 degrees. The sunshade is custom-cut to fit properly, and includes a handy storage bag.



10-inch Powered Subwoofer. Provides powerful, deep bass, and also assists in clean sound reproduction from all vehicle speakers. This is achieved by its integrated 100W amplifier and a passive crossover network. Manufactured for Subaru of America by Kicker.



STI Alloy Wheels. The STI 15-spoke 17" wheels help give the BRZ the perfect blend of attitude and style, combined with improved handling performance and steering precision. This is due to the reduced weight of the alloy wheel when compared to stock alloy wheels. The wheels are finished in black and finished off with STI branded center caps.

Protecting Your Investment

Once you're part of our family, we'll be there for you. Every Subaru comes with 24-hour roadside assistance for 3 years or 36,000 miles. If you have trouble on the road, a tow to the nearest Subaru retailer and other services are just a phone call away. And to protect you over the long haul, we offer Added Security—extended service agreements and maintenance plans that will help protect your car for up to 7 years or 100,000 miles. They're the only mechanical and maintenance plans backed by Subaru, and because we've been backing them for more than 30 years, they're agreements you can trust. Your retailer has full coverage details.

Subaru Badge of Ownership

True commitment shows through. For Subaru owners, it shows in kayak scuffs and snowboard scratches. It can take the form of dog hair that just won't come out, fresh coats of dust, or extra coats of wax. For many, the Subaru Badge of Ownership lets them show their commitment to the life they live and the confidence that has inspired them to fully embrace it. Owners can order badges online for free, stick them on, and let everyone know how they experience the world. Which one will you get?



Warranties⁶

New Car Limited Warranty	3 years or 36,000 miles, whichever comes first.
Powertrain Limited Warranty	5 years or 60,000 miles, whichever comes first.
Wear Item Limited Warranty	3 years or 36,000 miles, whichever comes first. Repairs to the following items will also be covered under Wear Item Limited Warranty: <ul style="list-style-type: none"> • Brake Pads • Wiper Blades • Clutch Linings • Transmitter Batteries
Rust Perforation Limited Warranty	5 years, unlimited mileage.

Take a Guided Tour

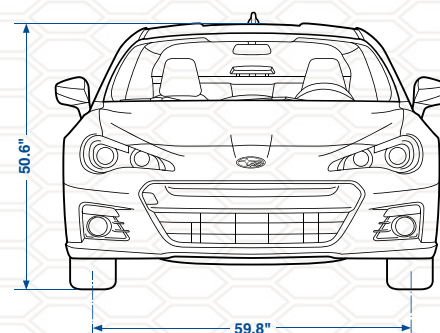
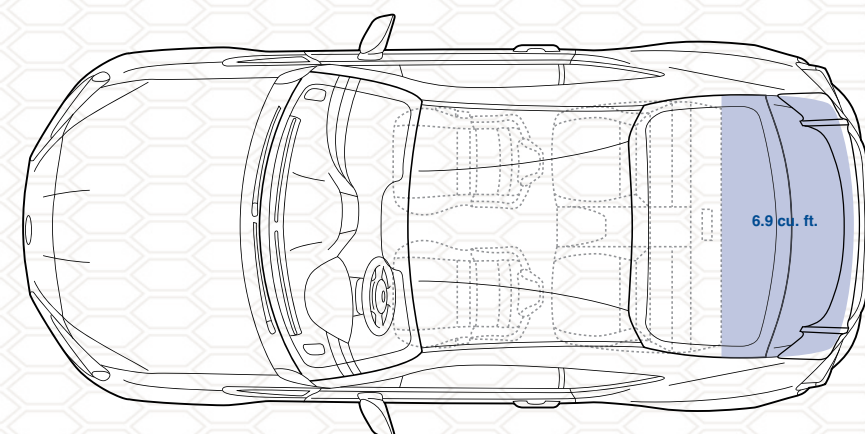
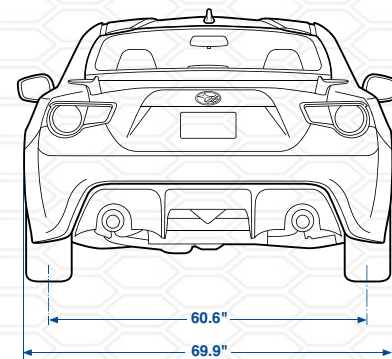
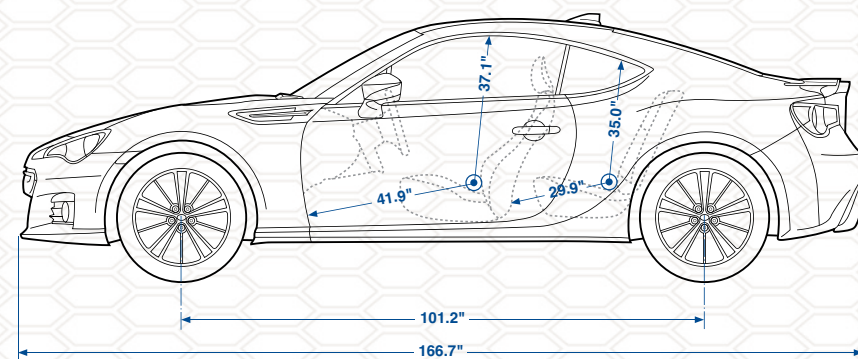
For a more in-depth experience, explore the 2015 Subaru BRZ app on your iPad®, or take the 2015 Subaru BRZ Guided Tour online at: tour.subaru.com/BRZ2015

Take the BRZ Guided Tour Online.

or

Download the free iPad App on iTunes.

2015 BRZ | Dimensions



Length/Width/Height	166.7 inches/69.9 inches (77.8 inches, including mirrors)/50.6 inches
Wheelbase	101.2 inches
Track (front/rear)	59.8 inches/60.6 inches
Base curb weight (manual/automatic)	BRZ Premium: 2,764 lbs/N/A BRZ Limited: 2,778 lbs/2,824 lbs BRZ Series.Blue: 2,774 lbs/N/A
Coefficient of drag (Cd)	BRZ Premium: 0.29 BRZ Limited: 0.28 BRZ Series.Blue: 0.27

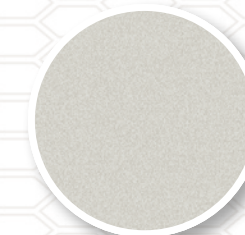
Headroom (front/rear)	37.1 inches/35.0 inches
Legroom (front/rear)	41.9 inches/29.9 inches
Shoulder room (front/rear)	54.5 inches/51.7 inches
Passenger volume	76.5 cubic feet
Trunk volume	6.9 cubic feet

Some images shown are for illustration purposes only. Specifications in this brochure are based on the latest product information available at the time of publication. For the most up-to-date and detailed product information, log on to www.subaru.com. Some equipment shown in photography in this brochure is optional at extra cost. Specific options may be available only in combination with other options. Specific combinations of equipment or features may vary from time to time and by geographic area. Certain accessories and equipment may not be available at the time of publication. Subaru of America, Inc., reserves the right to change or discontinue at any time, without notice, prices, colors, materials, equipment, accessories, specifications, models and packages without incurring any obligation to make the same or similar changes on vehicles previously sold. Colors shown may vary due to reproduction and printing processes.

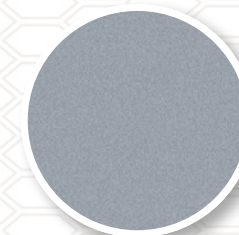
This brochure was prepared by Subaru of America, Inc. A warranty from Subaru of America, Inc., is available only on cars sold to the first retail purchaser through an authorized Subaru retailer in the continental U.S. or Alaska. Subaru, SUBARU BOXER, Added Security and BRZ are registered trademarks. Confidence in Motion and STARLINK are trademarks of Fuji Heavy Industries, Ltd. Apple, iPod and iTunes are registered trademarks of Apple Inc. Alcantara is a registered trademark of Alcantara S.p.A. and Alcantara is produced by Toray Group. Aha is a trademark of HARMAN International Industries, Incorporated. SiriusXM and NavTraffic are registered trademarks of SiriusXM Radio Inc. Torsen is a registered trademark of JTEKT Torsen North America, Inc. Bluetooth is a registered trademark of Bluetooth SIG, Inc. HomeLink is a registered trademark of Prince Corporation, a wholly owned subsidiary of Johnson Controls. Kicker is a registered trademark of Stillwater Designs and Audio, Inc. HD Radio is a registered trademark of iBiquity Digital Corporation. For more information, contact your Subaru retailer or log on to www.subaru.com.

2015 BRZ | Colors

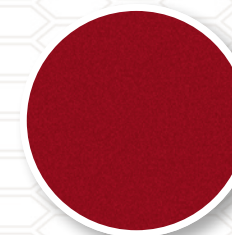
Paint



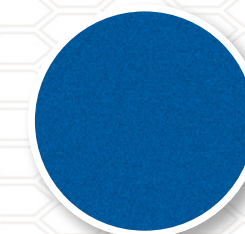
Crystal White Pearl



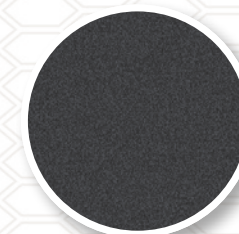
Ice Silver Metallic



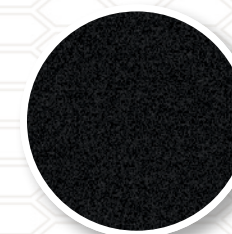
Lightning Red



WR Blue Pearl



Dark Gray Metallic

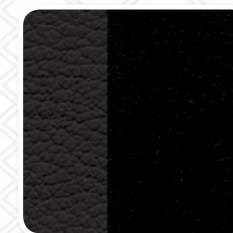


Crystal Black Silica

Upholstery



Black Cloth
(BC)



Black Leather /
Alcantara®
(BA)



Black Leather /
Alcantara® / Blue
Bolster Accent
(BAB)

Color Combinations

	BRZ Premium	BRZ Limited	BRZ Series.Blue
Crystal White Pearl	BC	BA	BAB
Ice Silver Metallic	BC	BA	—
Lightning Red	BC	BA	—
WR Blue Pearl	BC	BA	BAB
Dark Gray Metallic	BC	BA	—
Crystal Black Silica	BC	BA	—